

SL17 Riley Light

Product Features

- Integrated low profile area light
- Patented, sleek design
- Compact size with even light distribution
- Sturdy mounting with 7 inch stainless steel spikes
- The head pivots 15° to reduce glare adjust angle of light
- Design complies with IDA guidelines for dark sky preservation



Specifications

Fixture Type: Integrated

Color Temperature: 2700K / 3000K

Material: Marine-Grade, Virgin Brass with a UV coating

Finish: Antique Bronze

Wattage: 1W

Lumen Output: 60 lm

Operating Voltage: 9V - 15V AC

Light Source: Seoul LED Chips

Lens: Frosted Lens

Color Rendering Index: 83+

TM-30 Rf: 84

TM-30 Rg: 95.9

Lead Wire: 15' 18AWG

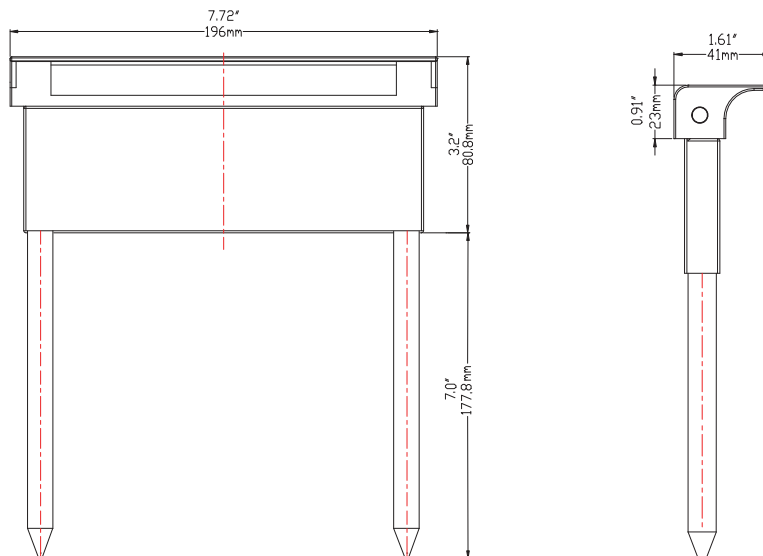
Mounting: Set of two 7" Stainless Steel Spikes

Listing: ETL

Standard: UL 1838

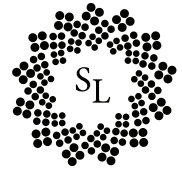
Rating: IP67

Product Drawings



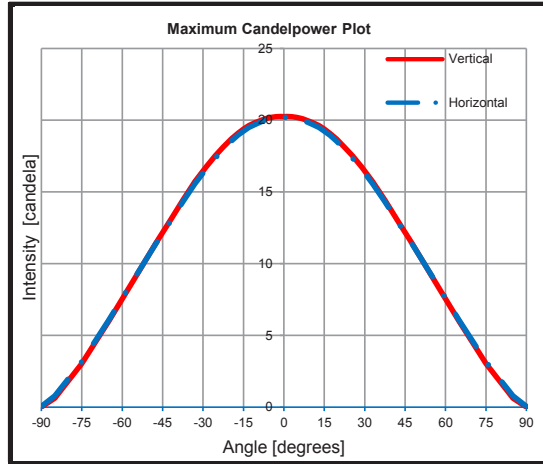


Sterling Lighting LLC SL17 Riley Light



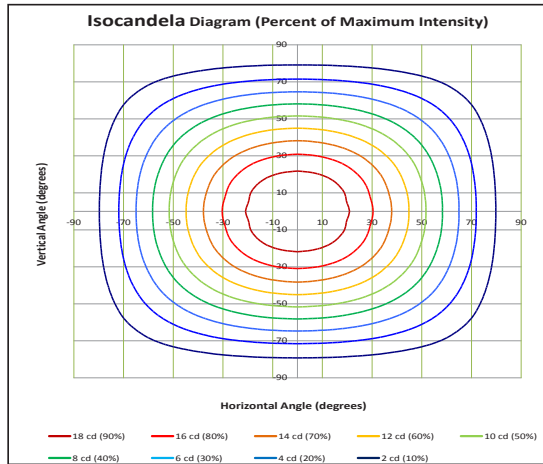
Electrical Test Conditions						
Temp	Voltage	Current	Power	Power Factor	Frequency	Current THD
24.7 °C	14.02 VAC	0.1327 A	1.050 W	0.565	60 Hz	138 %

Summary of Results	
Integrating Sphere	
Total Lumen Output	52.3 lm
Luminaire Efficacy	49.9 lm/w
CCT	3276 K
CRI	82.9
Duv	0.0043
TM-30 Rf	84.0
TM-30 Rg	95.9

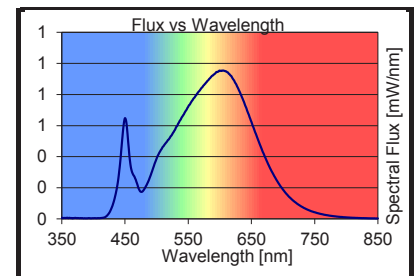
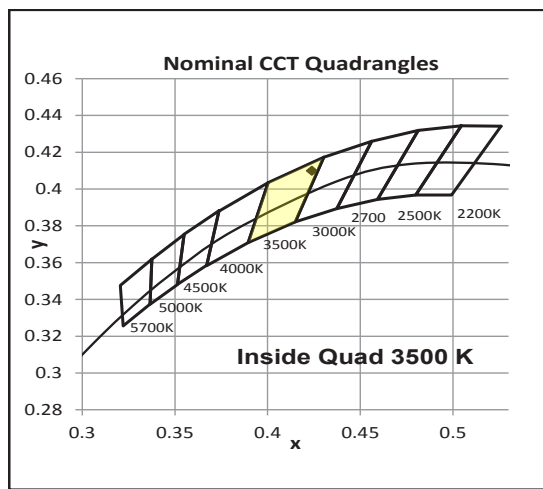


Intensity (Candlepower) Summary		
Angle	Vertical	Horizontal
-85	1	1
-75	3	3
-65	6	6
-55	9	9
-48	11	11
-43	13	13
-38	14	14
-33	16	16
-29	17	17
-26	18	17
-23	18	18
-20	19	19
-17	19	19
-15	19	19
-13	20	19
-11	20	20
-9	20	20
-7	20	20
-5	20	20
-3	20	20
0	20	20
3	20	20
5	20	20
7	20	20
9	20	20
11	20	20
13	20	19
15	19	19
17	19	19
20	19	19
23	18	18
26	18	17
29	17	17
33	16	16
38	14	14
43	13	13
48	11	11
55	9	9
65	6	6
75	3	3
85	1	1

Goniophotometer	
Maximum Candela	20 cd
Location of Max	-1 H -1 V
Total Lumen Output	53 lm
Field Lumens	52 lm
Beam Lumens	37 lm
Spill Light Lumens	1 lm
Field Angle	159.5 H X 158.4 V
Beam Angle	103.3 H X 103.2 V
IESNA Type	7 H X 7 V



Color Rendering Index Details	
Ra (CRI)	82.9
R1	80.6
R2	88.2
R3	95.2
R4	81.9
R5	80
R6	84.1
R7	87.7
R8	65.6
R9	15.7
R10	72.5
R11	79.9
R12	62.7
R13	81.9
R14	97.1



Chromaticity Coordinates	
Chromaticity (x)	0.4239
Chromaticity (y)	0.4099
Chromaticity (u)	0.2398
Chromaticity (v)	0.3478
Chromaticity (u')	0.2398
Chromaticity (v')	0.5217
Duv	0.0043

Testing was performed in accordance with LM-79-08
The results contained in this summary pertain only to report #12305664.02

