




# PT-IG1-BS-NL

Product: \_\_\_\_\_ Type: \_\_\_\_\_  
Project: \_\_\_\_\_

FINISH	PRODUCT CODE	HOUSING	COVER	LED
 Antique	PT-IG1-BS-NL	Composite	Clear Brass Cover	MR16 Sold Separately

## SPECIFICATIONS

**CONSTRUCTION:**

- Injection-Molded Polyester Fiberglass Composite Housing
- Clear Cast Brass Cover
- Rubber Gasket for Watertight Seal

**LENS:**

- Impact-Resistant Tempered Glass

**LAMP:**

- No Lamp Included
- MR16 (50W Max)

**POWER:**

- Input Voltage 12V

**SOCKET:**

- High-Temperature Ceramic
- GU5.3 Bi-Pin with Nickel Contacts
- Heat-Resistant Leads

**WIRING:**

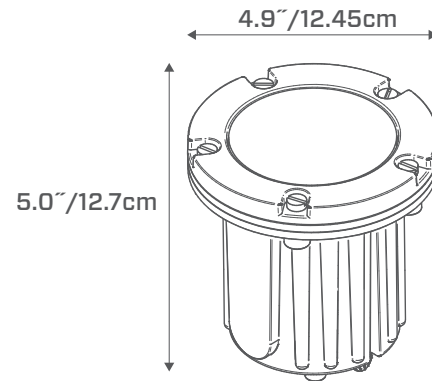
- Pre-Wired with Three Ft. VW-1 Lead Wire

**WARRANTY:**

- (Free from Material Defects and/or Workmanship)
- Ten Years

**CERTIFICATIONS:**

- ETL Listed to UL Standard 1838 and CAN/CSA-22.2 No. 250.7



ProTradeLighting.com

2021-4784

